



Green Pin[®] Heavy Duty Bow Shackle
BN
High load capacity bow shackle with safety bolt



Highlights

- ✓ Good choice for heavy lifting projects
- ✓ Suitable for both one-leg and multi-leg systems
- ✓ Superior stock availability of 99%
- ✓ Conforms to wide range of certifications
- ✓ Safety bolt: perfect for when rotation of the pin is a risk

Description

The Green Pin[®] Heavy Duty Bow Shackle BN is a high load capacity bow shackle with a safety bolt. The Green Pin[®] Heavy Duty Bow Shackle BN is a good choice for heavy lifting projects and is suitable for both one-leg and multi-leg systems. When rotation of the pin is a risk, this shackle's safety bolt prevents accidental unscrewing. Another important feature of the product is that the Green Pin[®] Heavy Duty Bow Shackle BN conforms to a wide range of certifications. For example, Heavy Duty Shackles of 150T and higher include a Lloyd's proofload test certificate. The Green Pin[®] Heavy Duty Bow Shackle BN is available in a range with a working load limit from 120 up to 1500 ton.

Product details

Productcode	P-6036
Material	bow and pin alloy steel, Grade 8, quenched and tempered
Safety factor	MBL equals 5 x WLL
Finish	shackle bow painted silver, pin painted green (120 tons shackle is hot dipped galvanized)
Certification	2.1 2.2 3.1 MTCa MTCb LROS MPIa USa CE



Green Pin® Heavy Duty Bow Shackle BN

Technical specifications in millimeters

Article code	working load limit	Weight shackle pin	A diameter bow	B diameter pin	C diameter eye	D width eye	E width inside	F length inside	G width bow	H length	I length bolt	J width	K thickness nut	Net weight (kg)
HDGPHM0120	120	28,12	95	95	204	95	147	400	238	644	453	428	50	116
HDGPHM0150	150	39,15	105	108	235	105	169	410	275	686	496	485	50	161
HDGPHM0200	200	69,15	120	130	270	120	179	513	290	833	564	530	71	252
HDGPHM0250	250	85,5	130	140	284	130	205	554	305	896	614	565	71	317
HDGPHM0300	300	102	140	150	308	140	205	618	305	987	644	585	81	386
HDGPHM0400	400	126,66	170	175	376	164	231	669	325	1115	698	665	70	620
HDGPHM0500	500	147,51	180	185	398	164	256	719	350	1191	728	710	70	720
HDGPHM0600	600	204,43	200	205	444	189	282	719	375	1244	810	775	70	975
HDGPHM0700	700	241,66	210	215	454	204	308	718	400	1263	870	820	70	980
HDGPHM0800	800	253,47	210	220	464	204	308	718	400	1270	870	820	70	1100
HDGPHM0900	900	292,09	220	230	485	215	328	718	420	1296	920	860	70	1280
HDGPHM1000	1000	325,46	240	240	515	215	349	718	420	1336	940	900	70	1460



Green Pin® Heavy Duty Bow Shackle BN

Technical specifications in millimeters

Article code	working load limit	Weight shackle pin	A diameter bow	B diameter pin	C diameter eye	D width eye	E width inside	F length inside	G width bow	H length	I length bolt	J width	K thickness nut	Net weight (kg)
HDGPHM1250	1250	449,98	260	270	585	230	369	768	450	1456	1025	970	70	1990
HDGPHM1500	1500	519,27	280	290	625	230	369	818	450	1556	1025	1010	70	2400

www.greenpin.com



Green Pin® Heavy Duty Bow Shackle BN

Technical specifications in inches

Article code	working load limit	Weight shackle pin	A diameter bow (inch)	B diameter pin (inch)	C diameter eye (inch)	D width eye (inch)	E width inside (inch)	F length inside (inch)	G width bow (inch)	H length (inch)	I length bolt (inch)	J width (inch)	K thickness nut (inch)	Net weight
HDGPHM0120	120	61,99	3 3/4	3 3/4	8 1/32	3 3/4	5 25/32	15 3/4	9 3/8	25 11/32	17 27/32	16 27/32	1 31/32	256(LBS)
HDGPHM0150	150	86,31	4 1/8	4 1/4	9 1/4	4 1/8	6 21/32	16 5/32	10 13/16	27	19 17/32	19 3/32	1 31/32	355
HDGPHM0200	200	152,45	4 23/32	5 1/8	10 5/8	4 23/32	7 1/16	20 3/16	11 13/32	32 25/32	22 7/32	20 7/8	2 25/32	556
HDGPHM0250	250	188,5	5 1/8	5 1/2	11 3/16	5 1/8	8 1/16	21 13/16	12	35 9/32	24 3/16	22 1/4	2 25/32	699
HDGPHM0300	300	224,87	5 1/2	5 29/32	12 1/8	5 1/2	8 1/16	24 11/32	12	38 27/32	25 11/32	23 1/32	3 3/16	851
HDGPHM0400	400	279,25	6 11/16	6 7/8	14 13/16	6 15/32	9 3/32	26 11/32	12 25/32	43 29/32	27 15/16	26 3/16	2 3/4	1367
HDGPHM0500	500	325,2	7 3/32	7 9/32	15 21/32	6 15/32	10 3/32	28 5/16	13 25/32	46 7/8	28 21/32	27 15/16	2 3/4	1588
HDGPHM0600	600	450,69	7 7/8	8 1/16	17 15/32	7 7/16	11 3/32	28 5/16	14 3/4	48 31/32	31 7/8	30 1/2	2 3/4	2150
HDGPHM0700	700	532,77	8 9/32	8 15/32	17 7/8	8 1/32	12 1/8	28 9/32	15 3/4	49 23/32	34 1/4	32 9/32	2 3/4	2161
HDGPHM0800	800	558,81	8 9/32	8 21/32	18 9/32	8 1/32	12 1/8	28 9/32	15 3/4	50	34 1/4	32 9/32	2 3/4	2426
HDGPHM0900	900	643,95	8 21/32	9 1/16	19 3/32	8 15/32	12 19/32	28 9/32	16 17/32	51 1/32	36 7/32	33 27/32	2 3/4	2822
HDGPHM1000	1000	717,51	9 7/16	9 7/16	20 9/32	8 15/32	13 3/4	28 9/32	16 17/32	52 19/32	37	35 7/16	2 3/4	3219



Green Pin® Heavy Duty Bow Shackle BN

Technical specifications in inches

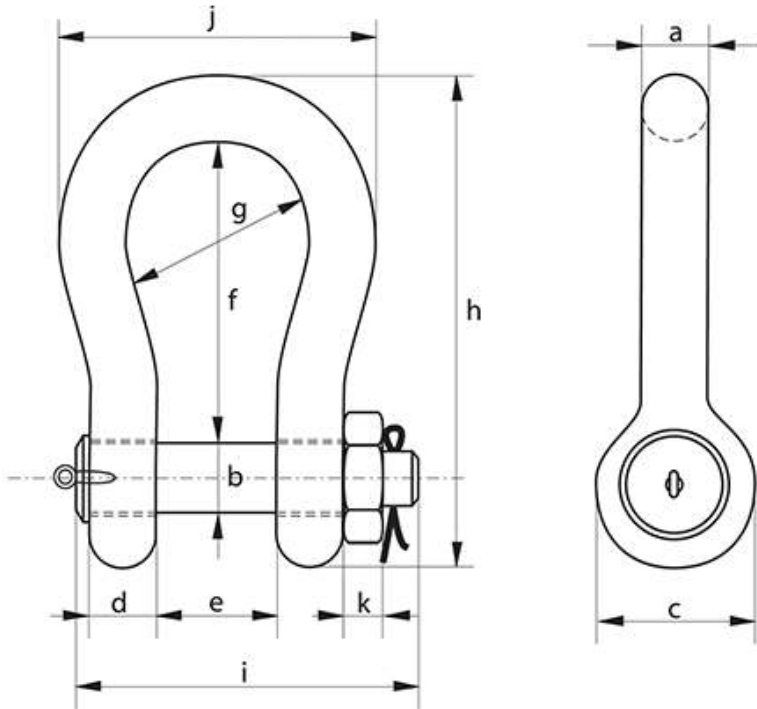
Article code	working load limit	Weight shackle pin	A diameter bow (inch)	B diameter pin (inch)	C diameter eye (inch)	D width eye (inch)	E width inside (inch)	F length inside (inch)	G width bow (inch)	H length (inch)	I length bolt (inch)	J width (inch)	K thickness nut (inch)	Net weight (LBS)
HDGPHM1250	1250	992,03	10 1/4	10 5/8	23 1/32	9 1/16	14 17/32	30 1/4	17 23/32	57 5/16	40 11/32	38 3/16	2 3/4	4388
HDGPHM1500	1500	1144,79	11 1/32	11 13/32	24 19/32	9 1/16	14 17/32	32 7/32	17 23/32	61 1/4	40 11/32	39 3/4	2 3/4	5292

www.greenpin.com



Green Pin® Heavy Duty Bow Shackle BN

Technical drawing



www.greenpin.com